

N-Channel Super Junction Power MOSFET IV

General Description

The series of devices use advanced trench gate super junction technology and design to provide excellent $R_{DS(ON)}$ with low gate charge. This super junction MOSFET fits the industry's AC-DC SMPS requirements for PFC, AC/DC power conversion, and industrial power applications.

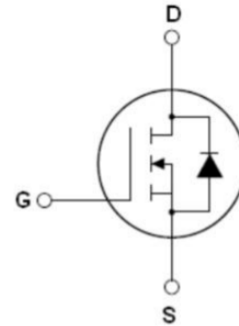
Features

- New technology for high voltage device
- Low on-resistance and low conduction losses
- Small package
- Ultra Low Gate Charge cause lower driving requirements
- 100% Avalanche Tested
- ROHS compliant

Application

- Power factor correction (PFC)
- Switched mode power supplies(SMPS)
- Uninterruptible Power Supply (UPS)

$V_{DS\ min@T_{jmax}}$	550	V
$R_{DS(ON)TYP.}$	680	m Ω
I_D	4.6	A
Q_g	9.6	nC



Schematic diagram

✧ Intrinsic fast-recovery body diode

Package Marking And Ordering Information

Device	Device Package	Marking
NCE50NF800F	TO-220F-3L	NCE50NF800F



Table 1. Absolute Maximum Ratings ($T_J=25^\circ\text{C}$)

Parameter	Symbol	Value	Unit
Drain-Source Voltage ($V_{GS}=0V$)	V_{DS}	500	V
Gate-Source Voltage ($V_{DS}=0V$), AC ($f>1\text{ Hz}$)	V_{GS}	± 30	V
Gate-Source Voltage ($V_{DS}=0V$), DC	V_{GS}	± 20	V
Continuous Drain Current at $T_c=25^\circ\text{C}$	$I_{D(DC)}$	4.6	A
Continuous Drain Current at $T_c=100^\circ\text{C}$	$I_{D(DC)}$	3.22	A
Pulsed drain current (Note 1)	$I_{DM(pluse)}$	13.8	A
Maximum Power Dissipation($T_c=25^\circ\text{C}$)	P_D	19.8	W
Derate above 25°C		0.13	W/ $^\circ\text{C}$
Single pulse avalanche current (Note 2)	I_{AS}	1.5	A
Reverse diode dv/dt , $V_{DS} \leq 480\text{ V}, I_{SD} < I_D$	dv/dt	50	V/ns
Drain Source voltage slope, $V_{DS} \leq 480\text{ V}$	dv/dt	50	V/ns
Operating Junction and Storage Temperature Range	T_J, T_{STG}	-55...+175	$^\circ\text{C}$

Table 2. Thermal Characteristic

Parameter	Symbol	Value	Unit
Thermal Resistance, Junction-to-Case (Maximum)	R_{thJC}	7.58	$^{\circ}\text{C}/\text{W}$
Thermal Resistance, Junction-to-Ambient (Maximum)	R_{thJA}	62	$^{\circ}\text{C}/\text{W}$

Table 3. Electrical Characteristics ($T_J=25^{\circ}\text{C}$ unless otherwise noted)

Parameter	Symbol	Condition	Min	Typ	Max	Unit
On/off states						
Drain-Source Breakdown Voltage	BV_{DSS}	$V_{GS}=0V, I_D=250\mu A$	500			V
Zero Gate Voltage Drain Current($T_c=25^{\circ}\text{C}$)	I_{DSS}	$V_{DS}=500V, V_{GS}=0V$			10	μA
Zero Gate Voltage Drain Current($T_c=125^{\circ}\text{C}$)	I_{DSS}	$V_{DS}=500V, V_{GS}=0V$			300	μA
Gate-Body Leakage Current	I_{GSS}	$V_{GS}=\pm 20V, V_{DS}=0V$			± 200	nA
Gate Threshold Voltage	$V_{GS(th)}$	$V_{DS}=V_{GS}, I_D=250\mu A$	3.5	4.2	5.0	V
Drain-Source On-State Resistance	$R_{DS(on)}$	$V_{GS}=10V, I_D=2.3A$		680	800	m Ω
Dynamic Characteristics						
Gate Resistance	R_g	$F=1\text{MHz}, \text{D-S short}$		29		Ω
Input Capacitance	C_{iss}	$V_{DS}=50V, V_{GS}=0V,$ $F=1\text{MHz}$		309	350	pF
Output Capacitance	C_{oss}			14		pF
Reverse Transfer Capacitance	C_{riss}			2		pF
Total Gate Charge	Q_g	$V_{DS}=350V, I_D=2.3A,$ $V_{GS}=10V$		9.6		nC
Gate-Source Charge	Q_{gs}			4.2		nC
Gate-Drain Charge	Q_{gd}			3.0		nC
Gate plateau voltage	V_{gp}			6.9		V
Switching times						
Turn-on Delay Time	$t_{d(on)}$	$V_{DD}=380V, I_D=2.3A,$ $R_G=4\Omega, V_{GS}=10V$		7		nS
Turn-on Rise Time	t_r			8		nS
Turn-Off Delay Time	$t_{d(off)}$			38		nS
Turn-Off Fall Time	t_f			8		nS
Source- Drain Diode Characteristics						
Source-drain current(Body Diode)	I_{SD}	$T_c=25^{\circ}\text{C}$			4.6	A
Pulsed-Source-drain current(Body Diode)	I_{SDM}				13.8	A
Forward on voltage	V_{SD}	$T_J=25^{\circ}\text{C}, I_{SD}=4.6A, V_{GS}=0V$		1.0	1.2	V
Reverse Recovery Time	t_{rr}	$T_J=25^{\circ}\text{C}, I_F=2.3A,$ $di/dt=100A/\mu s$		90		nS
Reverse Recovery Charge	Q_{rr}			0.29		μC
Peak reverse recovery current	I_{rm}			6.5		A

Notes: 1. Repetitive Rating: Pulse width limited by maximum junction temperature
 2. $T_J=25^{\circ}\text{C}, V_{DD}=50V, V_G=10V, R_G=25\Omega$

TYPICAL ELECTRICAL AND THERMAL CHARACTERISTICS (curves)

Figure1. Safe operating area



Figure2. Source-Drain Diode Forward Voltage

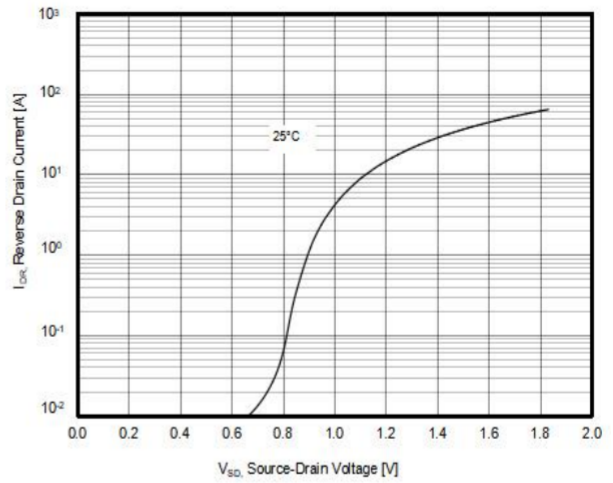


Figure3. RDS(ON) vs Junction Temperature

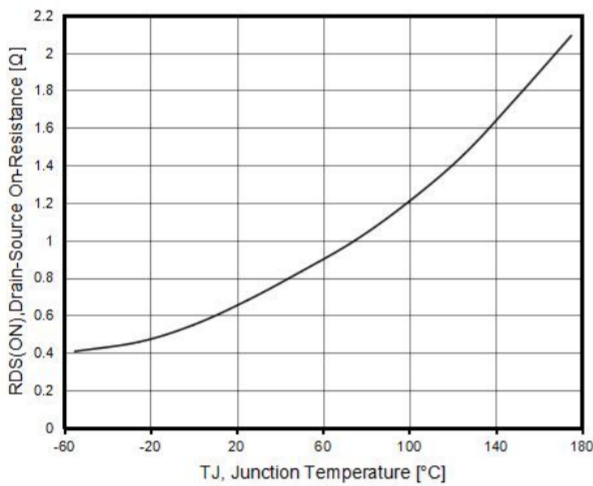


Figure4. BVDS vs Junction Temperature

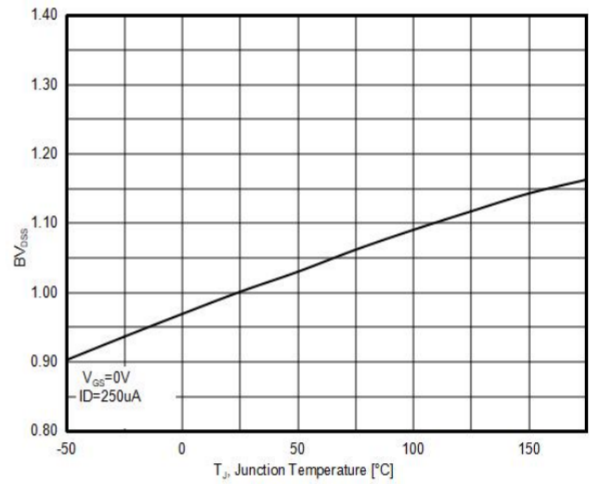


Figure5. Maximum ID vs Junction Temperature

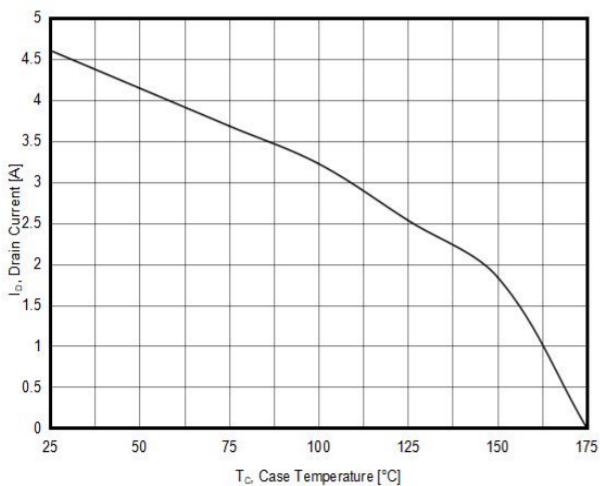


Figure6. Output characteristics

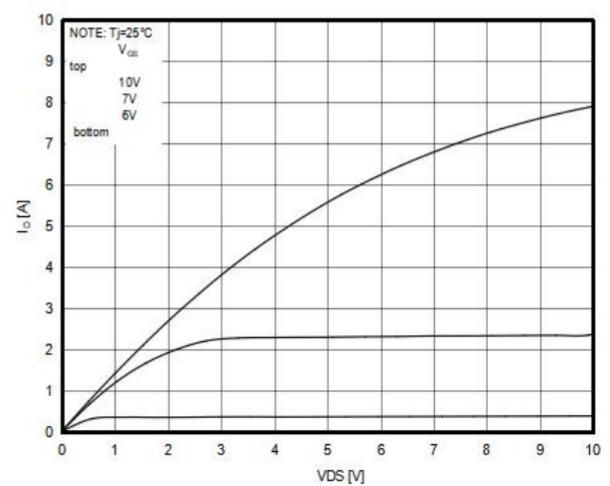


Figure7. Transfer characteristics

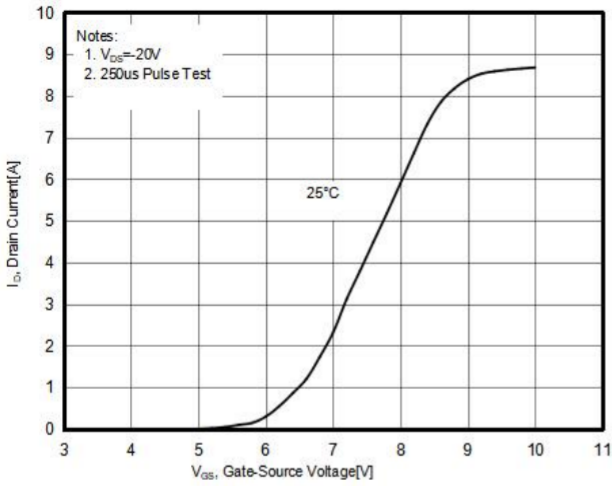


Figure8. Static drain-source on resistance

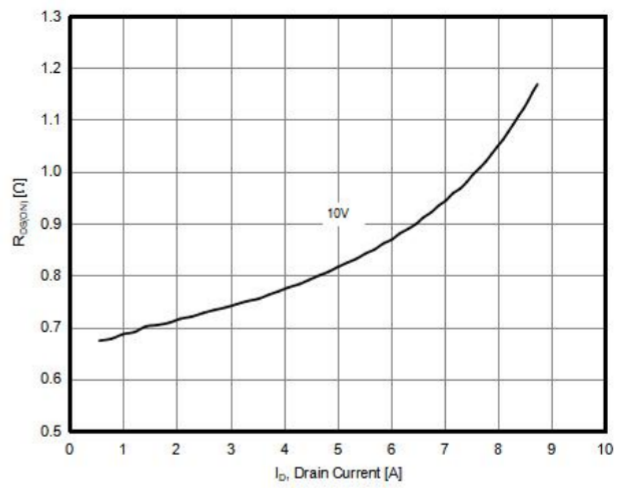


Figure9. Gate charge waveforms

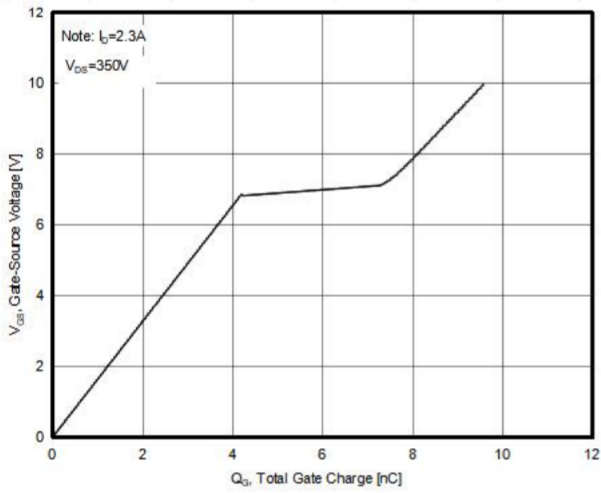
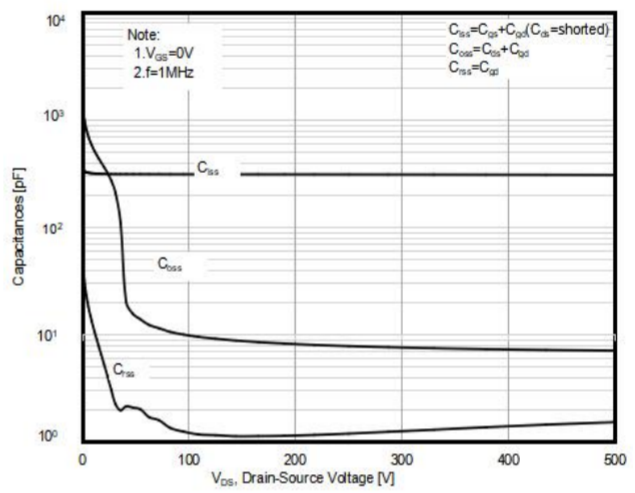
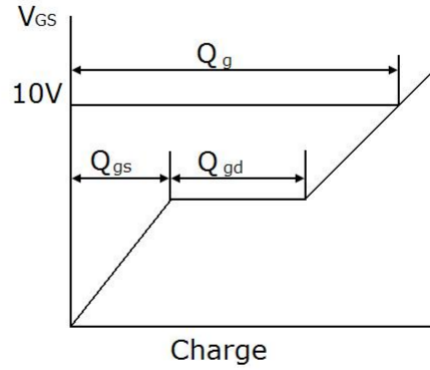
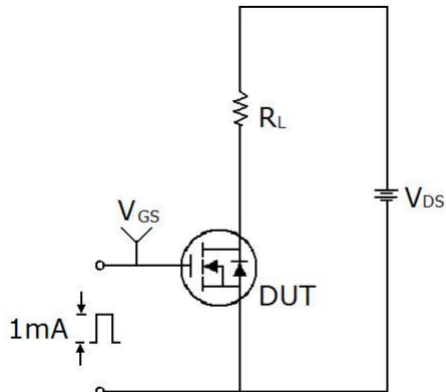


Figure10. Capacitance

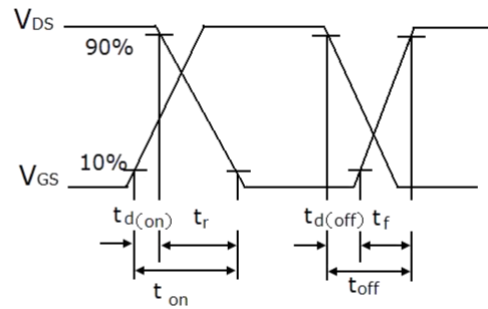
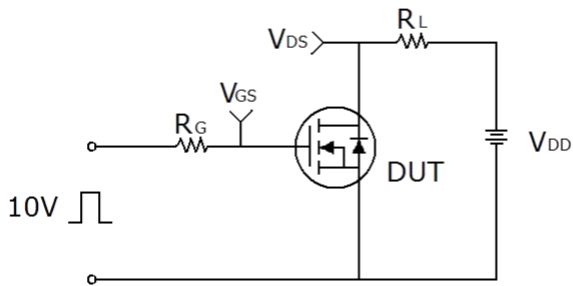


Test circuit

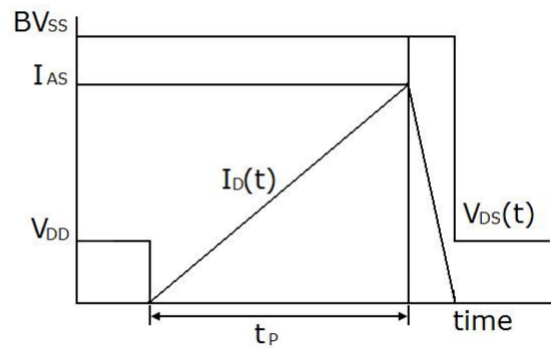
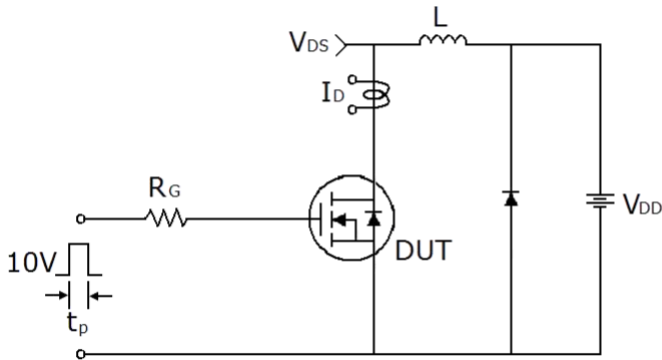
1) Gate charge test circuit & Waveform



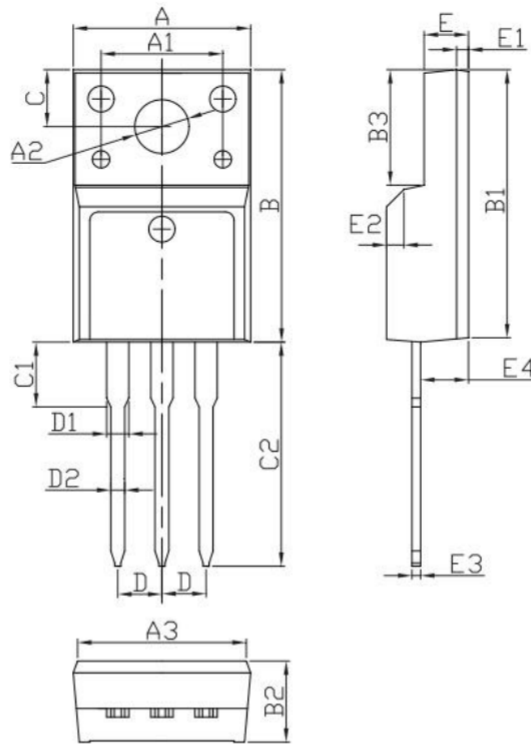
2) Switch Time Test Circuit:



3) Unclamped Inductive Switching Test Circuit & Waveforms

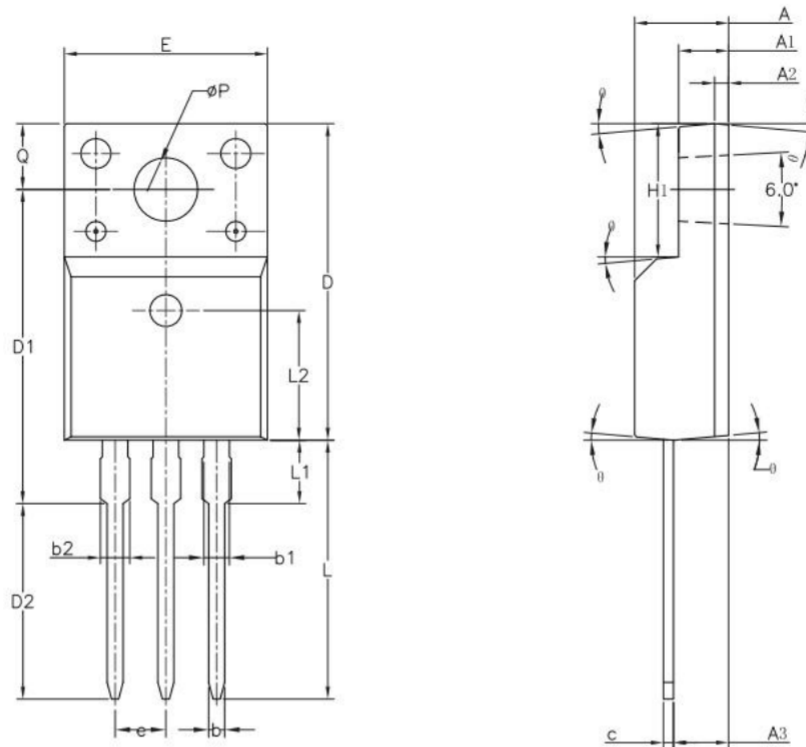


TO-220F-3L-L Package Information



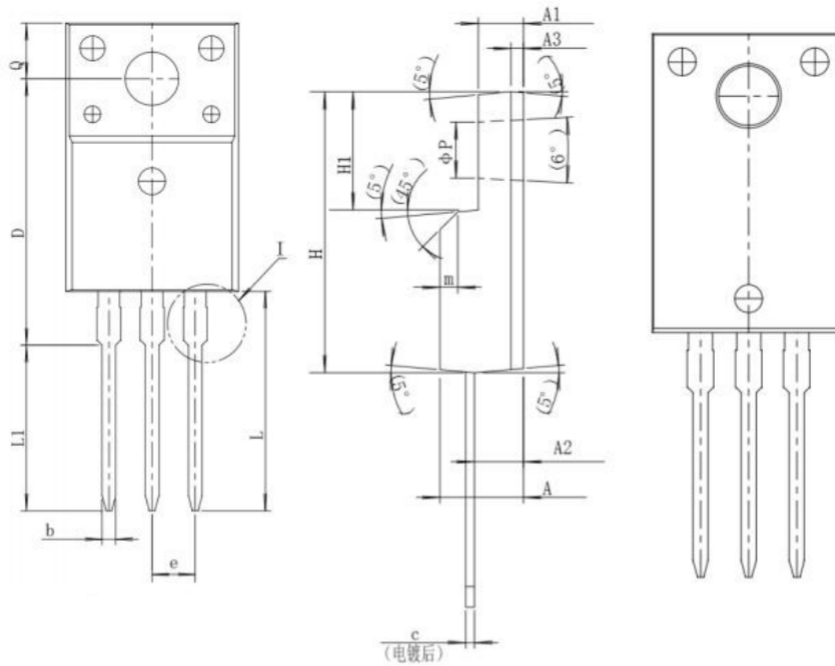
Symbol	Dimensions In Millimeters		Dimensions In Inches	
	Min.	Max.	Min.	Max.
A	9.96	10.36	0.391	0.407
A1	6.85	7.15	0.269	0.281
A2	2.97	3.27	0.117	0.128
A3	9.50	9.90	0.373	0.389
B	15.70	16.10	0.617	0.633
B1	15.40	15.80	0.605	0.621
B2	4.50	4.90	0.177	0.193
B3	6.50	6.90	0.255	0.271
C	3.10	3.50	0.122	0.138
C1	3.05	3.45	0.120	0.136
C2	12.80	13.20	0.503	0.519
D	2.54 BSC		0.100 BSC	
D1	1.13	1.43	0.044	0.056
D2	0.65	0.95	0.026	0.037
E	2.35	2.75	0.092	0.108
E1	0.55	0.85	0.022	0.033
E2	45.0°		45.0°	
E3	0.35	0.65	0.014	0.026
E4	2.55	2.95	0.100	0.116

TO-220F-3L-P Package Information



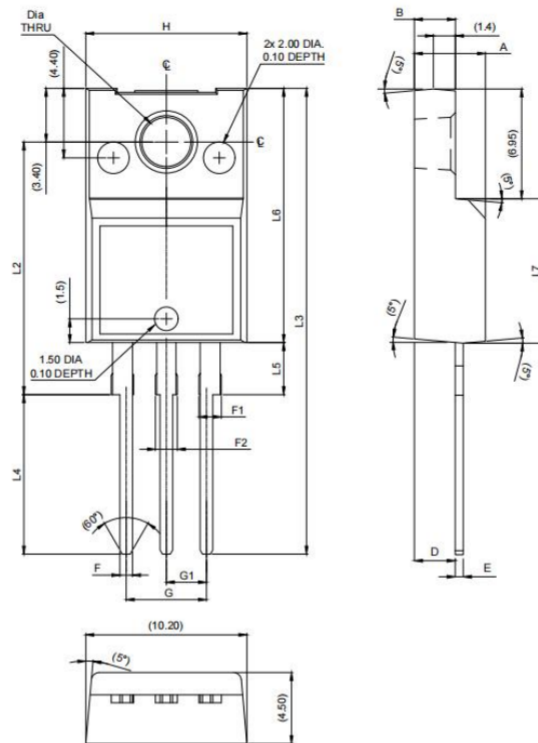
Symbol	Dimensions In Millimeters		Dimensions In Inches	
	Min.	Max.	Min.	Max.
A	4.50	4.83	0.177	0.190
A1	2.34	2.74	0.092	0.108
A2	0.70 REF		0.028 REF	
A3	2.56	2.93	0.101	0.115
b	0.70	0.90	0.028	0.035
b1	1.18	1.38	0.046	0.054
b2	--	1.47	--	0.058
c	0.45	0.60	0.018	0.024
D	15.67	16.07	0.616	0.631
D1	15.55	15.95	0.611	0.627
D2	9.60	10.00	0.377	0.393
E	9.96	10.36	0.391	0.407
e	2.54 BSC		0.100 BSC	
H1	6.48	6.88	0.255	0.270
L	12.68	13.28	0.498	0.522
L1	--	3.50	--	0.138
L2	6.50 REF		0.255 REF	
∅ P	3.08	3.28	0.121	0.129
Q	3.20	3.40	0.126	0.134

TO-220F-3L-M Package Information



Symbol	Dimensions In Millimeters		Dimensions In Inches	
	Min.	Max.	Min.	Max.
A	4.60	4.80	0.181	0.189
A1	2.44	2.64	0.096	0.104
A2	2.65	2.85	0.104	0.112
A3	0.70 REF		0.028 REF	
b	0.70	0.90	0.028	0.035
b2	1.18	1.39	0.046	0.055
b1	1.28	1.47	--	0.058
c	0.45	0.60	0.018	0.024
D	15.64	15.85	0.614	0.623
E	10.06	10.26	0.395	0.403
e	2.54 BSC		0.100 BSC	
H	15.77	15.97	0.620	0.627
H1	6.58	6.78	0.259	0.266
L	12.68	13.28	0.498	0.522
L1	9.60	10.00	0.377	0.393
∅ P	3.08	3.28	0.121	0.129
Q	3.20	3.40	0.126	0.134

TO-220F-3L-B Package Information



Symbol	Dimensions In Millimeters		Dimensions In Inches	
	Min.	Max.	Min.	Max.
A	4.40	4.60	0.173	0.181
B	2.50	2.70	0.098	0.106
D	2.50	2.75	0.098	0.108
E	0.45	0.70	0.018	0.028
F	0.75	1.00	0.029	0.039
F1	1.15	1.50	0.045	0.059
F2	1.15	1.50	0.045	0.059
G	4.95	5.20	0.19	0.20
G1	2.40	2.70	0.09	0.11
H	10.00	10.40	0.39	0.41
L2	16.00		0.63	
L3	28.60	30.60	1.12	1.20
L4	9.80	10.60	0.39	0.42
L5	2.90	3.60	0.11	0.14
L6	15.90	16.40	0.62	0.64
L7	9.00	9.30	0.35	0.37
Dia	3.00	3.20	0.12	0.13

ATTENTION:

- Any and all NCE products described or contained herein do not have specifications that can handle applications that require extremely high levels of reliability, such as life-support systems, aircraft's control systems, or other applications whose failure can be reasonably expected to result in serious physical and/or material damage. Consult with your NCE representative nearest you before using any NCE products described or contained herein in such applications.
- NCE assumes no responsibility for equipment failures that result from using products at values that exceed, even momentarily, rated values (such as maximum ratings, operating condition ranges, or other parameters) listed in products specifications of any and all NCE products described or contained herein.
- Specifications of any and all NCE products described or contained herein stipulate the performance, characteristics, and functions of the described products in the independent state, and are not guarantees of the performance, characteristics, and functions of the described products as mounted in the customer's products or equipment. To verify symptoms and states that cannot be evaluated in an independent device, the customer should always evaluate and test devices mounted in the customer's products or equipment.
- NCE Power Semiconductor CO.,LTD. strives to supply high-quality high-reliability products. However, any and all semiconductor products fail with some probability. It is possible that these probabilistic failures could give rise to accidents or events that could endanger human lives, that could give rise to smoke or fire, or that could cause damage to other property. When designing equipment, adopt safety measures so that these kinds of accidents or events cannot occur. Such measures include but are not limited to protective circuits and error prevention circuits for safe design, redundant design, and structural design.
- In the event that any or all NCE products(including technical data, services) described or contained herein are controlled under any of applicable local export control laws and regulations, such products must not be exported without obtaining the export license from the authorities concerned in accordance with the above law.
- No part of this publication may be reproduced or transmitted in any form or by any means, electronic or mechanical, including photocopying and recording, or any information storage or retrieval system, or otherwise, without the prior written permission of NCE Power Semiconductor CO.,LTD.
- Information (including circuit diagrams and circuit parameters) herein is for example only ; it is not guaranteed for volume production. NCE believes information herein is accurate and reliable, but no guarantees are made or implied regarding its use or any infringements of intellectual property rights or other rights of third parties.
- Any and all information described or contained herein are subject to change without notice due to product/technology improvement, etc. When designing equipment, refer to the "Delivery Specification" for the NCE product that you intend to use.
- This catalog provides information as of Mar. 2010. Specifications and information herein are subject to change without notice.